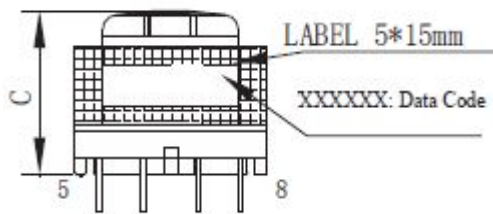
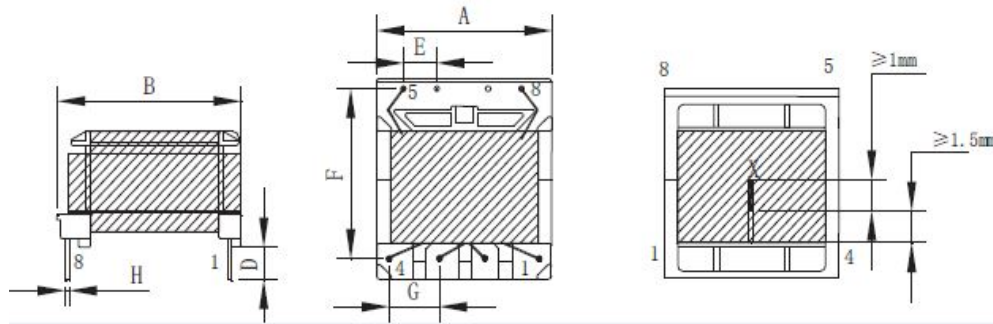


CUSTOMER TERMINAL	ROHS	Lead(Pb)-free
	YES	YES

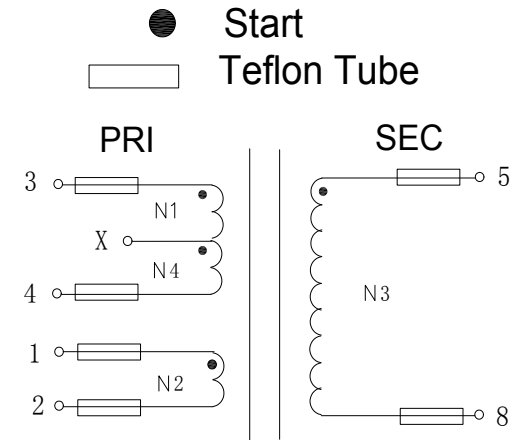


### 1.Mechanical Dimensions



A	21.0	MAX
B	23.0	MAX
C	18.0	MAX
D	3.5	±0.5
E	4.0	±0.3
F	18.2	±0.4
G	5.0	±0.3
H	0.80	±0.1

### 2.Schematic Diagram



### 3.Material List

Core:FW44 EE20/20/6  
 Bobbin:FVB2010(4+4PIN)  
 Wire:2UEW TIW  
 Operating Temperature: -30 to115 °C

### 4.Electrical Specification

Inductance : L(3-4):1.9mH±5% 60KHZ , 1.0V  
 Leakage Inductance : 25uH MAX 60KHZ , 1.0V  
 DCR : (5-8)=0.66Ω MAX (3-4)=2.61Ω MAX  
 Hi-Pot:P-S: AC 60Hz 4000V 1mA 3S  
 P-CORE: AC 60Hz 500V 1mA 3S

REV.	DATE	 Convention Placement	DRW.	Drawing Title:  <b>TRANSFORMER</b>	Part No:  <b>FWPTEF20H192J</b>
0	00/00		CHK.		
			APP.		
<b>ROHS</b>		<a href="http://www.ferriwo.com">www.ferriwo.com</a>	Customer P/N	Specification Sheet 1of 1	